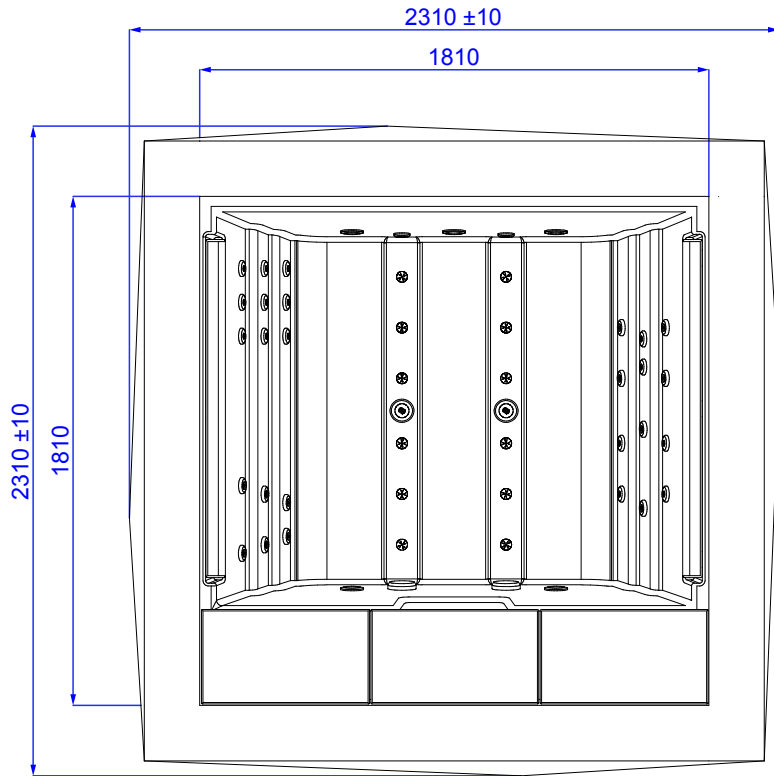


788 ± 10

↑
DRAIN
SIDE



2310 ± 10

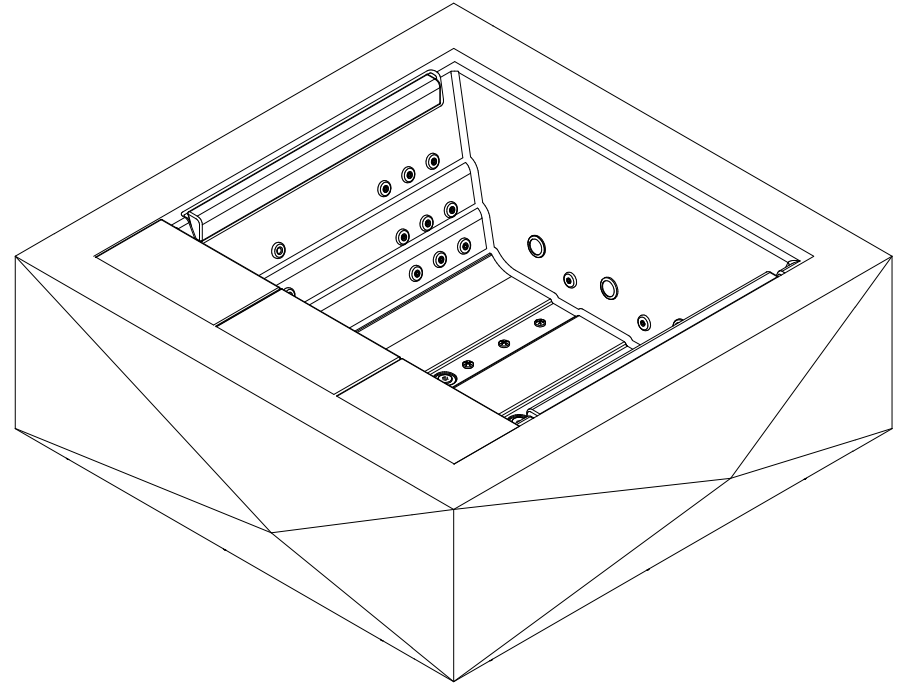
1810


2310 ± 10

1810

↑
DRAIN
SIDE

↑
↑
ELECTRICAL BOARD CONNECTIONS ACCESS



DRAWN OLEG DODOROV		2018-02-16		 Crystal Spa by Aquatica	
CHECKED					
QA				TITLE	
APPROVED				Crystal Spa by Aquatica	
				SIZE C	DWG NO
				SCALE	REV
				SHEET 1 OF 1	